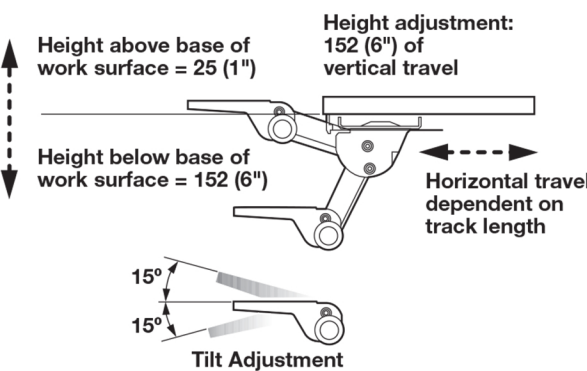
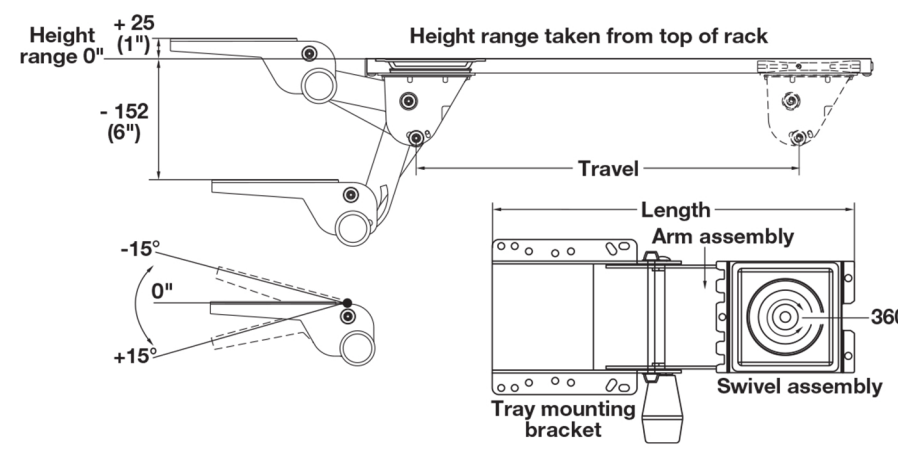




- > A no-frills keyboard support arm that offers all the adjustability needed for comfort and efficiency
- > For occasional users, home office, education, learning and training centers
- > Meets or exceeds ANSI/BIFMA requirements
- > Made in North America, TAA Compliant
- > Soft touch knob adjusts both height and tilt simultaneously
- > Spring assisted to help counterbalance keyboard tray weight
- > 360° swivel allows user to move keyboard freely from side to side
- > Low profile ball bearing track
- > Track length: 432 mm (17")
- > Material: Steel, epoxy-coated; Components: Plastic

→ Echo Arm



Finish	Item No.
black	632.68.301

Note
Arm does not include keyboard tray, please order separately, see below options.