

# SEACHROME

Seachrome Corporation  
1906 East Dominguez Street  
Long Beach, California 90810  
Phone: (800) 955-2476  
Fax: (800) 444-3380

Description:

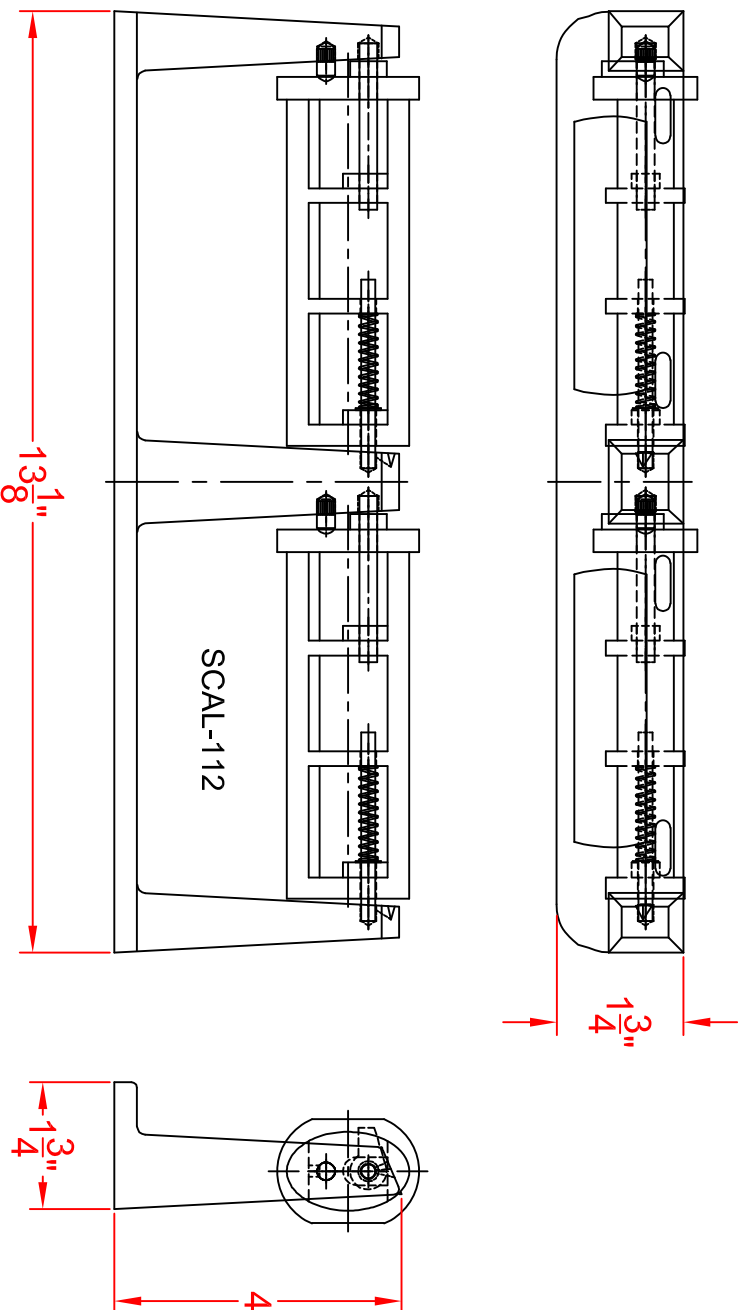
**SCAL-112**  
**Wall-Mount Dual Toilet**  
**Tissue Dispenser**

Customer:

Customer Part #

06-06-2014

This drawing and the information contained herein is proprietary to Seachrome Corp. and shall not be reproduced, copied or disclosed in whole, or part, or used for manufacturing or for any other purpose without the written permission of Seachrome Corporation.



Cast Aluminum / Paint Color-Silver

No Waste - Rocking Action Gray Plastic Spindles

Overall: 13-1/8" Wide x 1-3/4" High x 4" Deep.

Capacity: 2 Standard 5-1/2" Diameter Toilet Tissue Rolls.

This information is subject to change without formal notice. If you need assistance, please contact Seachrome Corporation's technical support staff.