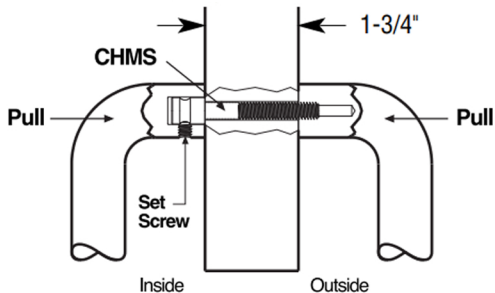


919133 Mounting Hardware

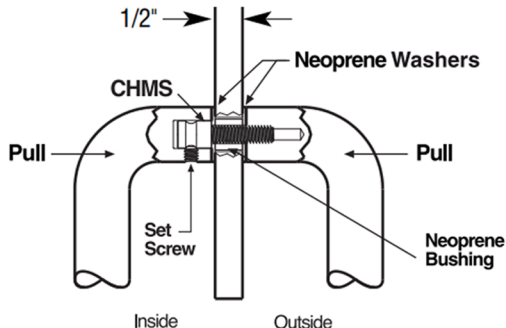
Common End Bolt for 1-3/4" Metal or Wood Doors



Minimum diameter of pull is 3/4"

| TYPE | BOLT SIZE | DRILL SIZE |
|------|-----------|------------|
| 5 | 1/4 - 20 | 9/32" |
| 5HD | 5/16 - 18 | 11/32" |

Common End Bolt for 1/2" Glass Doors



Minimum diameter of pull is 3/4"

| TYPE | BOLT SIZE | DRILL SIZE GLASS |
|------|-----------|------------------|
| 13 | 1/4 - 20 | 5/8" |
| 13HD | 5/16 - 18 | 5/8" |