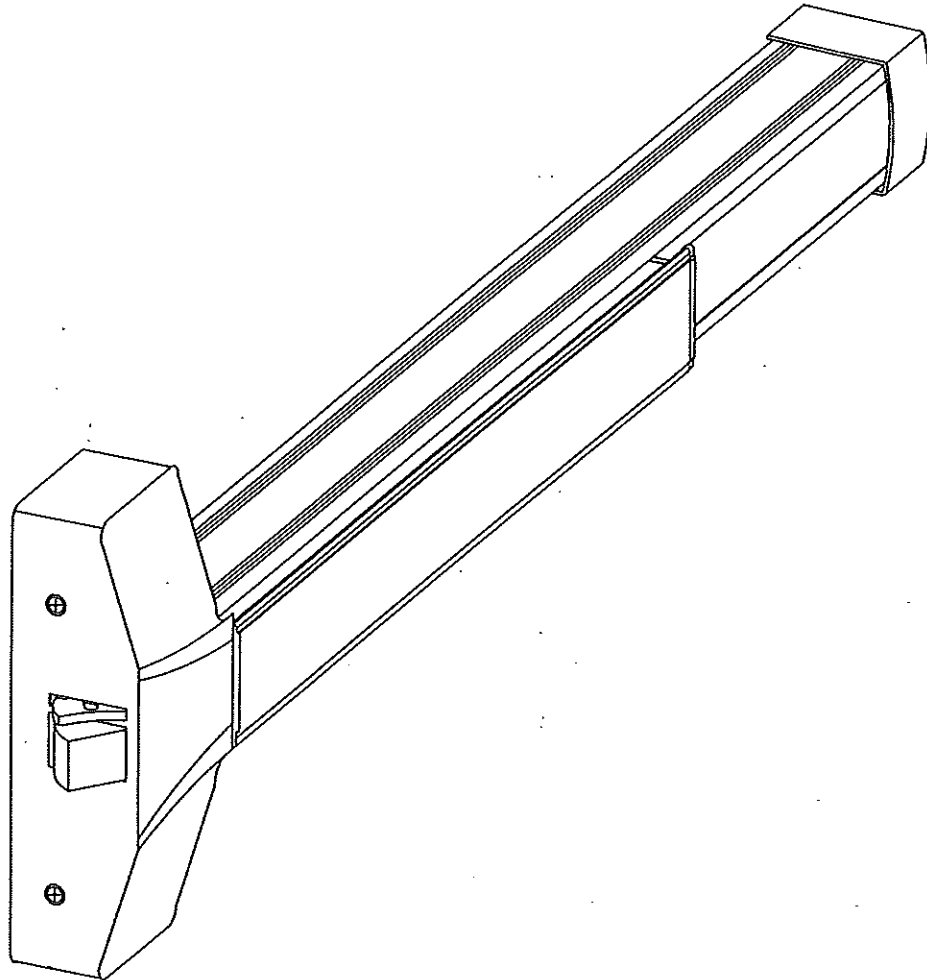


# REVERSIBLE PANIC / FIRE EXIT RIM DEVICES

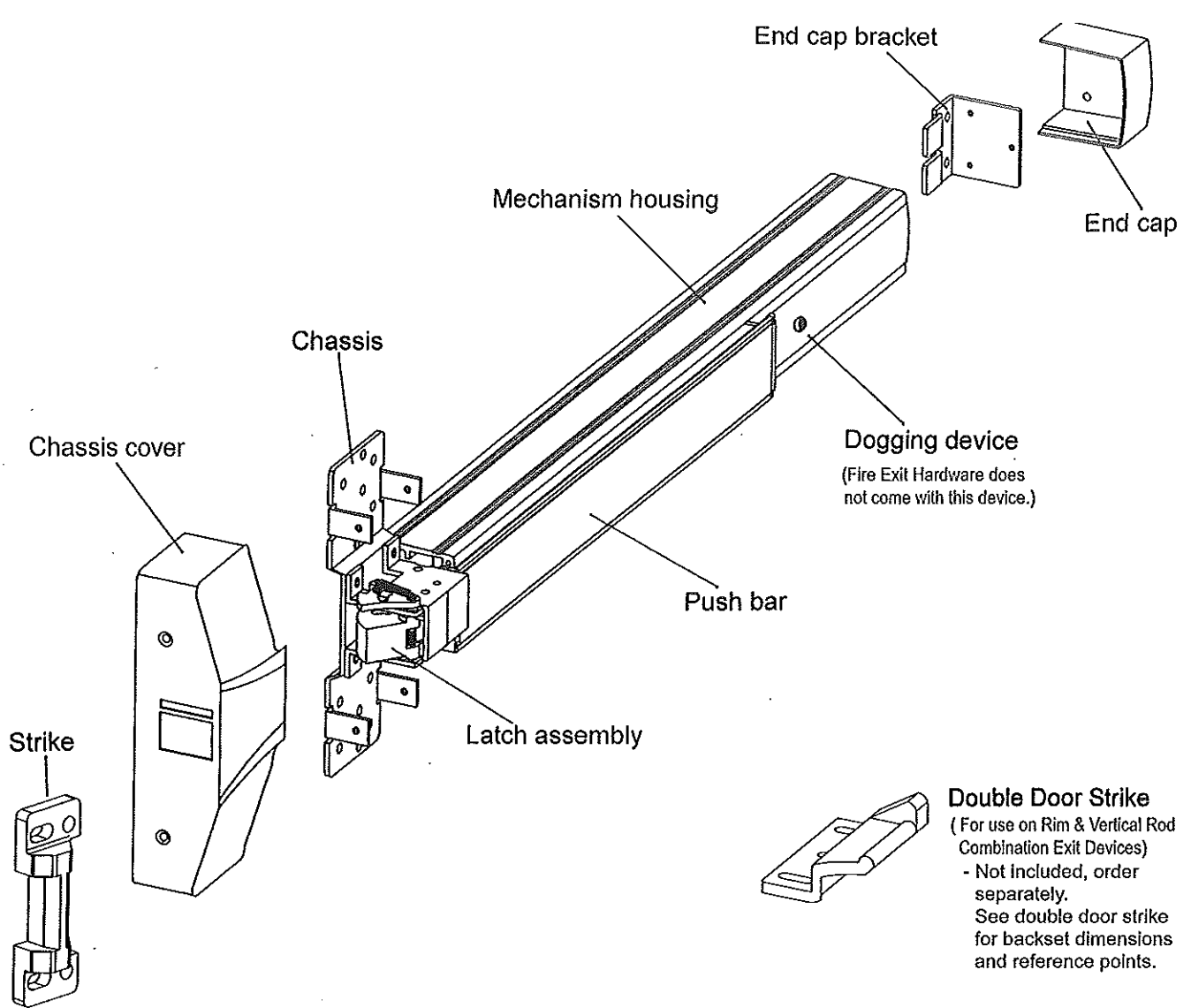
## INSTALLATION INSTRUCTIONS



PDQ Manufacturing  
2754 Creek Hill Rd.  
Leola, PA 17540  
800-441-9692  
Fax: 717-656-6892  
[www.pdqlocks.com](http://www.pdqlocks.com)

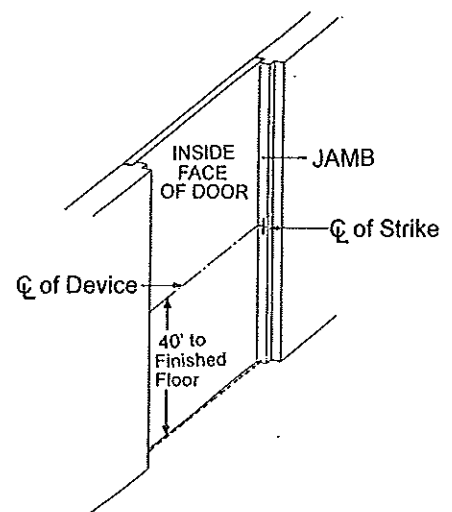
These instructions are presented in step by step sequence.  
Attach a template to tape to your door and frame as an aid  
to prepare for device mounting.

Please read thoroughly before installation.

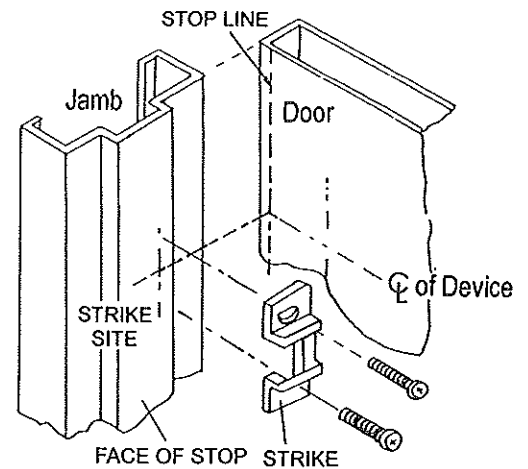


## B. MARK POSITION FOR INSTALLING

1. Mark the center line of device by drawing a line across the door and stop 40" above finished floor as shown at right.
2. Fold or tape template and align center lines on template with center lines on door then mark position of mounting holes for Latch Assembly.
3. Move template up against stop then mark two mounting holes for strike.
4. Drill holes as marked on door and jamb or mullion.

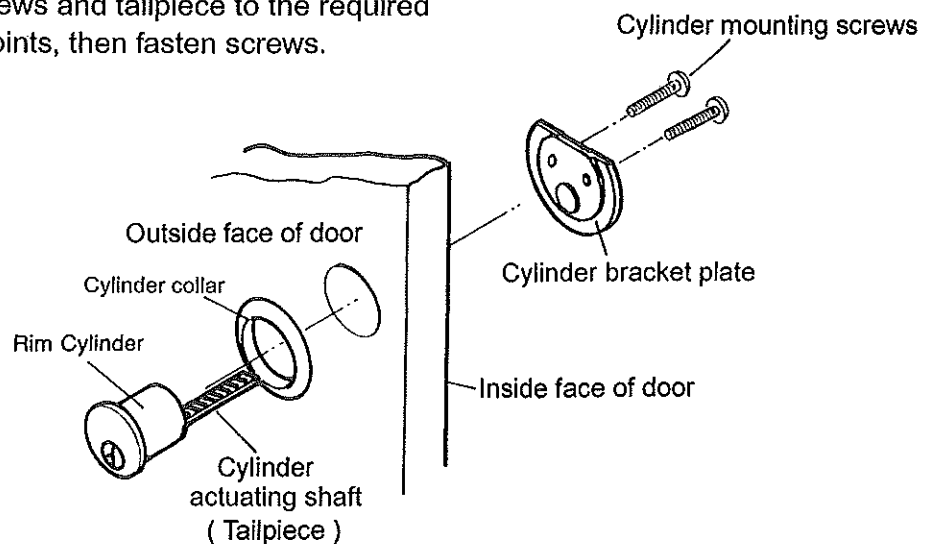
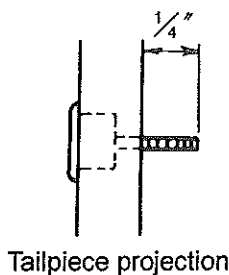


1. Place strike to the drilled position and tighten it to jamb or mullion by supplied screws.
2. In case installing with a vertical rod device for a pair of doors, an additional Double Door Strike must be used to replace regular strike provided. See separate template.



#### D. IF CYLINDER INCLUDED WITH THE DEVICE

1. Drill one thru hole for the cylinder / bracket plate.
2. Insert cylinder and cylinder collar from outside of the door.
3. Place bracket plate on inside face of the door.
4. Put two cylinder mounting screws thru the bracket plate and into cylinder.
5. Cut the cylinder mounting screws and tailpiece to the required door thickness at break-off points, then fasten screws.

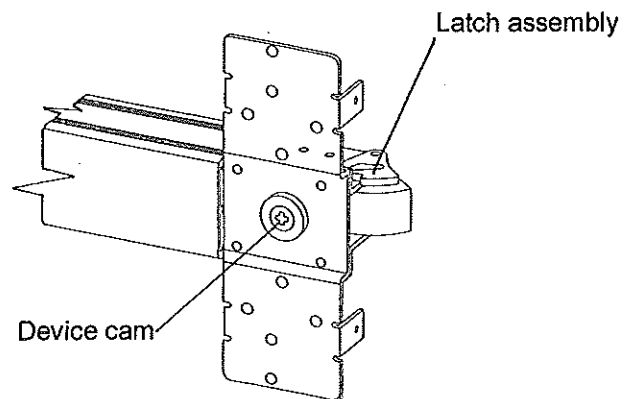


#### E. INSTALL OUTSIDE TRIM

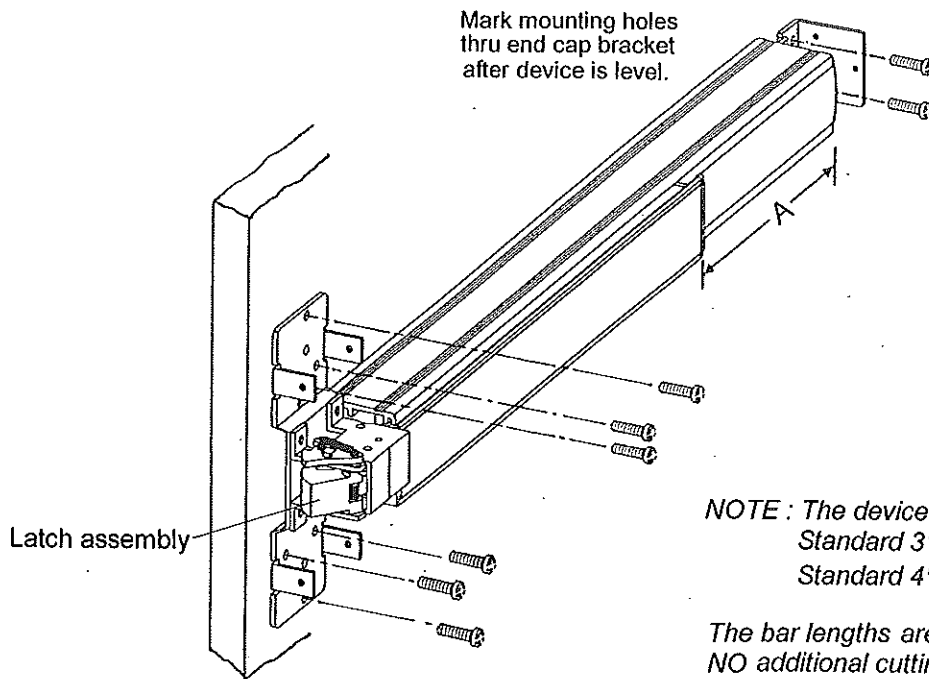
Mark and drill holes for the outside trim. ( See Trim Instructions ).

#### F. INSTALL DEVICE BODY

1. Remove chassis cover from latch assembly and end cap from end cap bracket.
2. Mount device horizontally to the drilled position by supplied mounting screws, or bolt device chassis to trim or optional sex bolts (if required).
3. Make sure cylinder or trim actuating shaft (tailpiece) is centered on device cam (See device cam at right).
4. Install end cap bracket on device then screw to door.
5. Tighten all screws or bolts.



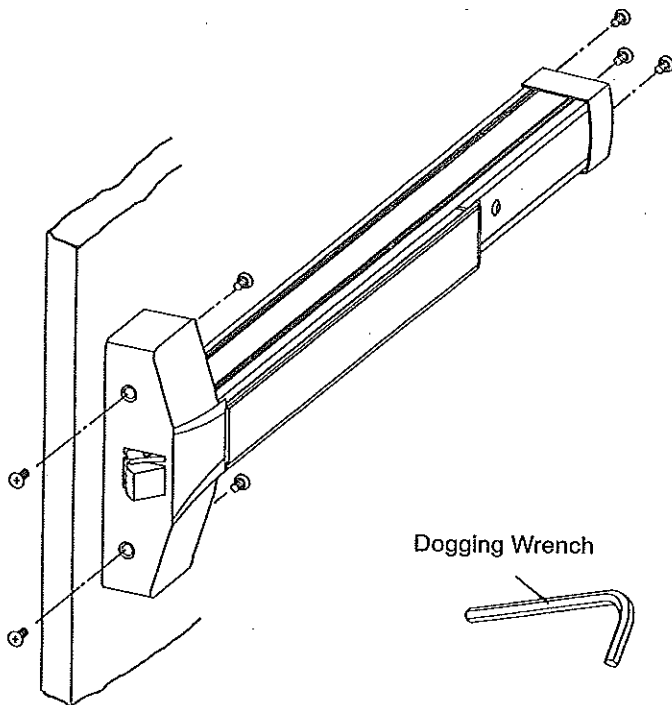
INSERT TRIM ACTUATING SHAFT INTO DEVICE CAM " + "



**NOTE :** The device bar has 2 different lengths :  
 Standard 3' door device = Approx. 33"  
 Standard 4' door device = Approx. 44"

The bar lengths are precut for 36" or 48" door, NO additional cutting is necessary. If narrower door installation is needed, cut device "A" portion to door width minus 4". Consult factory for limitations.

## G. INSTALL COVERS



1. Test push bar operation before installing covers :
  - a. No Trim : Latch bolt is retracted by push bar inside.
  - b. With Trim : Latch bolt is retracted by push bar inside, key or lever/knob outside.
  - c. Dogging: See dogging description and chart below.
2. Make sure and secure latch bolt engagement. Adjust strike if required.
3. Install chassis cover on chassis.
4. Install end cap.

**Note :** For increasing the life of this device, dogging device during high traffic period of the day ( Panic device only).

**Dogging:**  
 Depress push bar, insert dogging wrench and turn clockwise 35°

Depress push bar	
------------------	--

The push bar will remain pressed and the latch will keep retracted.

**Release dogging:**  
 Depress push bar, insert dogging wrench and turn counter-clockwise 35°

Depress push bar	
------------------	--

The push bar will return to up position and the latch will project to lock the door.

**Caution:**  
 Fire door must remain closed and latched.