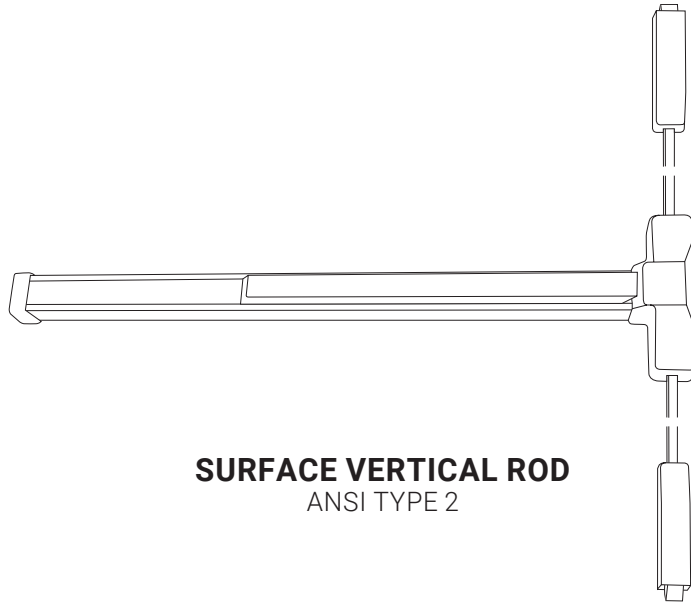


4200V Series

Commercial Wide Stile Surface Vertical Rod Exit Device

Architectural Submittal Sheet



SURFACE VERTICAL ROD
ANSI TYPE 2



ADA COMPLIANT

Specifications

CHASSIS:	• Corrosion resistant plated steel
RAIL:	• Heavy gauge steel or stainless steel
LATCH:	• SURFACE VERTICAL ROD (V) – Top Latch-Pullman with dead latching 5/8" throw • Bottom Latch- Pullman with 5/8" throw, held retracted during door swing
BACKSET:	• 2-3/4" Backset Compatible with 161 prep
HAND:	• Device is non-handed
DOGGING:	• Hex key dogging standard • Dogging not available on fire listed devices
MINIMUM STILE WIDTH:	• 4-1/4" for device (exit only) • Minimum stile requirements with trim varies by trim type
DOOR THICKNESS:	• 1-3/4" standard
DOOR WIDTH:	• Standard for 3 ft doors, option available for doors up to 4'
FINISHES:	• 605 – Polished Brass, 626 – Satin Chrome, 630 – Satin Stainless Steel, 689 – Aluminum, 695 (N/A)- Duro Bronze, 696 – Gold • Optional Anti Microbial Coating available on 626 and 630 finishes only
FASTENERS:	• Includes machine screws and wood screws • Sex nuts supplied with all Fire Listed devices
VERTICAL RODS:	• Stock for 7' doors standard. Extension rods available for doors up to 10'.
WARRANTY:	• Five (5) year limited warranty
CERTIFICATIONS, LISTINGS, COMPLIANCES:	• UL 305 listed for "Panic", UL listed for "Fire Exit Hardware" labeled for up to 1-1/2 hours, 3'0" x 7'0" Max Size • Complies with ADA (Americans with Disabilities Act) and ICC/ANSI 117.1 for Accessible and Usable Buildings • TAA compliant. Country of origin: Taiwan