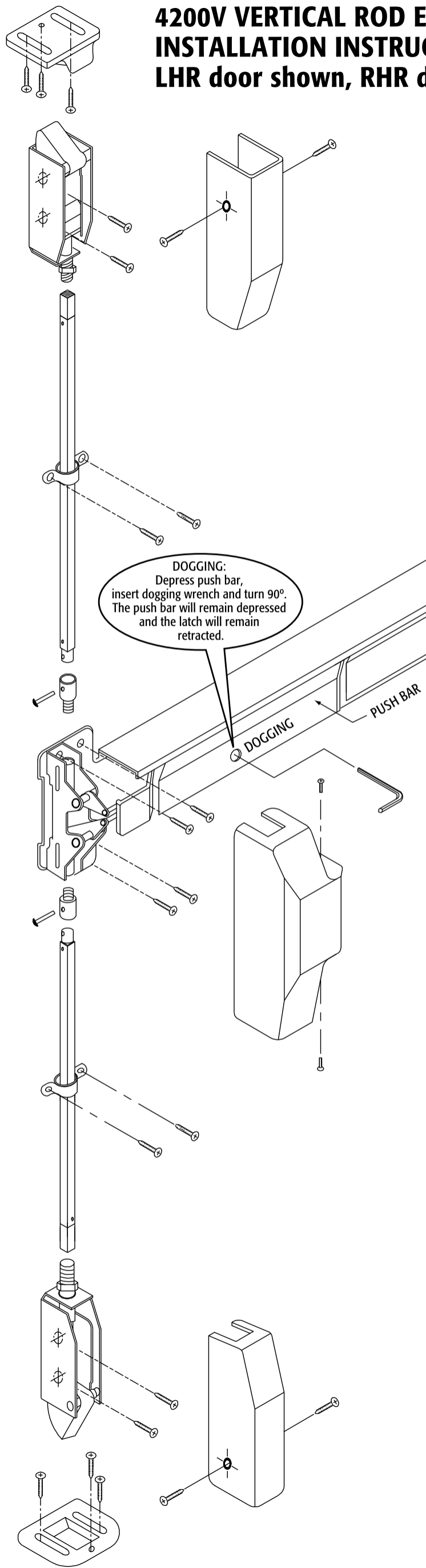


4200V VERTICAL ROD EXIT DEVICE-REVERSIBLE INSTALLATION INSTRUCTIONS

LHR door shown, RHR door opposite



DOGGING:
Depress push bar,
insert dogging wrench and turn 90°. The push bar will remain depressed and the latch will remain retracted.

STEPS:

1 Remove the tube adapters then attach the head assembly to the door with 4 screws as shown. Reinstall the tube adapters.

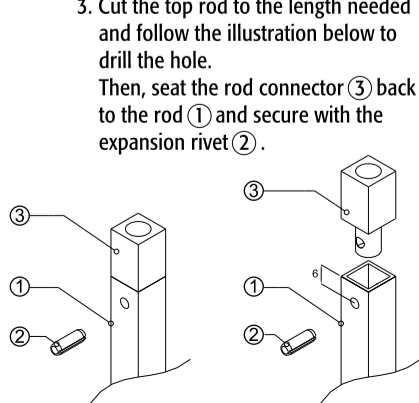
2 Attach the bottom rod (short rod) to the bottom latch and turn it in to approximately 3/4" (19 mm) engagement.

3 Attach the bottom tube to the tube adapter on the head assembly and secure with a hollow rivet.

4 Attach the top tube (long tube) to the top latch and turn it in to approximately 1-1/8" (28 mm) engagement.

STEPS FOR CUTTING TOP ROD
When a different rod length is needed use instructions below to cut rod.
Cut end of rod that attaches to latch.

1. Remove the expansion rivet ②.
2. Pull the rod connector ③ out of the rod ①.
3. Cut the top rod to the length needed and follow the illustration below to drill the hole. Then, seat the rod connector ③ back to the rod ① and secure with the expansion rivet ②.

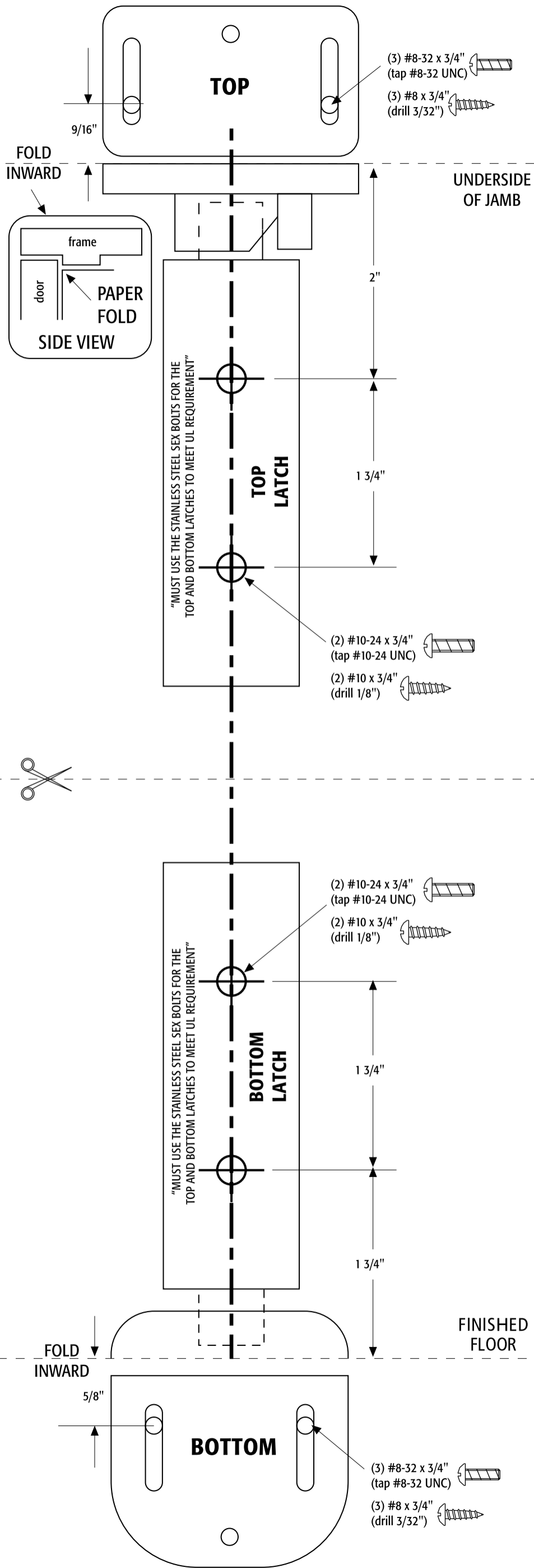


A Top strike and shims (if necessary).
B Top latch.
C Head assembly.
D Bottom latch.
E Bottom strike and strike shims (if necessary).
F End plate.

Install the rod guide at the central position of rod.

5 Attach the top tube to the tube adapter on the head assembly and secure with a hollow rivet.

STEPS FOR SECURE RIVET
First, seat the round rod connector into the square rod and put the hollow rivet through the hole (as illustration ①). Second, put a cone with a dimension smaller than 1/8" into the hollow rivet (as illustration ②) and riveting the rivet on the rod connector. (as illustration ③)



4200V TEMPLATE

