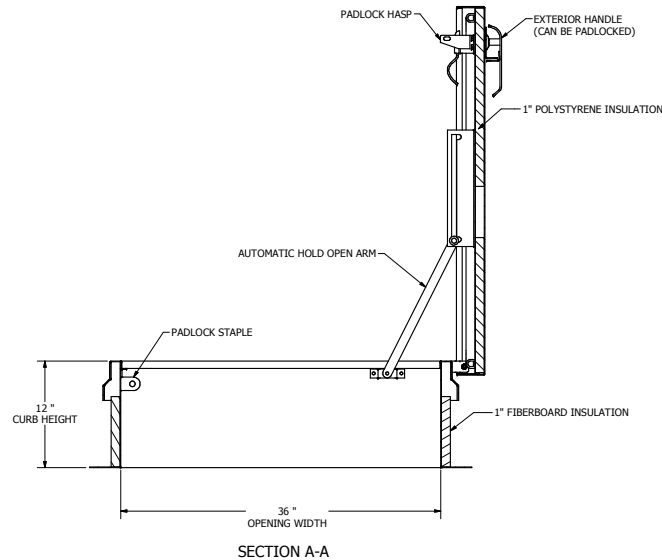
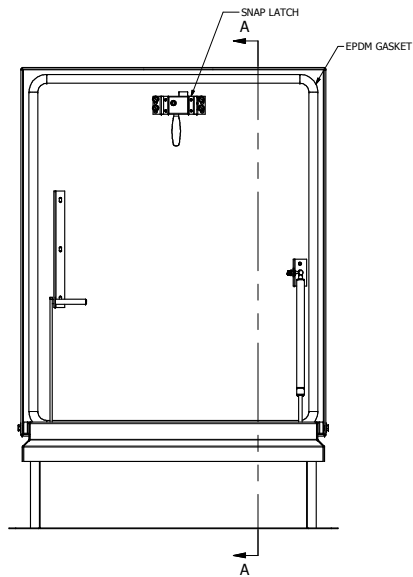


- NOTES:  
 SIZE: M-3'0"X2'6"  
 1) 70psf COVER LIVE LOAD RATING  
 2) HATCH POWDERCOATED WHITE  
 3) MATERIALS:  
   14ga GALVANIZED, COVER  
   14ga GALVANIZED, CURB  
   14ga GALVANIZED, COUNTER FLASHING  
   22ga GALVANIZED, COVER LINER  
 4) ZINC PLATED HARDWARE  
 5) GAS SPRING COVER ASSIST



ORDER WILL NOT BE RELEASED FOR FABRICATION UNTIL SIGNED COPY IS RECEIVED.

VERIFICATION AND APPROVAL OF GENERAL ARRANGEMENT AND OVERALL DIMENSIONS FOR THIS DOCUMENT ARE REQUIRED BEFORE THE ORDER IS ENTERED FOR MANUFACTURING.

APPROVAL SIGNATURE \_\_\_\_\_  
 TITLE HELD \_\_\_\_\_  
 DATE OF APPROVAL \_\_\_\_\_

DRAWN	JM	2/22/2017	HART & COOLEY INC. 5030 Corporate Exchange Blvd. SE Grand Rapids, MI. 49512 Ph: 800-624-8642	
CHECKED		<b>MILCOR</b>	TOLERANCE UNLESS SPECIFIED	
QA			M-1 ROOF HATCH	
RFQ			SIZE	DWG NO
APPROVED			D	3501-501-9
			SCALE	REV A
			ANGLES ± 1'	SHEET 1 OF 1