

Product data sheet
Washbasin M40.11.503

HEWI



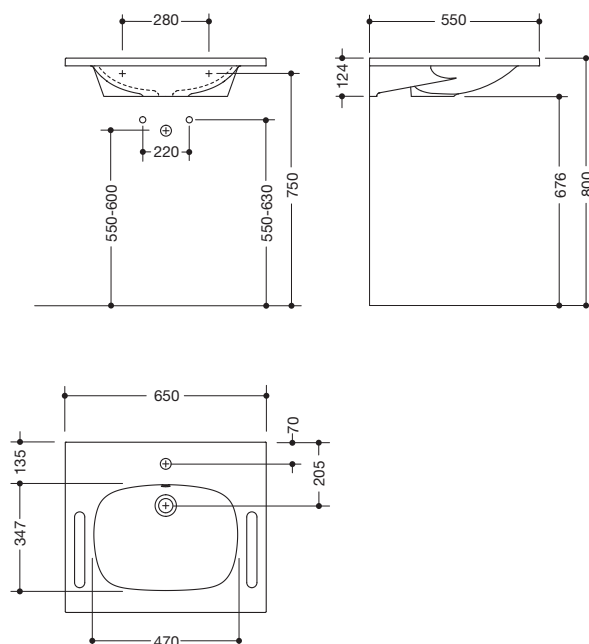
Washbasin M40.11.503

- made of mineral composite with non-porous surface, alpine white
- with shelf and oval basin
- integrated gripping feature on the side, can be used as a towel holder
- includes overflow with rose and cover
- overflow can be replaced and renewed if necessary
- overflow is mounted between drain and siphon under the washbasin, h=1 inch (25 mm), $\varnothing=2\frac{3}{4}$ inch (70 mm)
- prepared for single hole mixer tap
- wheelchair accessible to DIN 18040 and ÖNORM B1600/1601
- weight capacity to EN 14688
- 25 9/16 inch (650 mm) wide and 21 5/8 inch (550 mm) deep
- wash bowl recess 4 1/8 inch (105 mm)
- for hanger bolt fixing
- CE marking according to Construction Products Regulation No. 305/2011



Dimensions

Lieferbar ab August 1st, 2022



Mineral composite

Alpine white

Technical information subject to alteration, May 11th, 2022

HEWI Inc.
350 Fifth Avenue, Suite 5220 Phone: (917) 734-4112
New York, NY 10118

hewi@hewi.us
www.hewi.com