

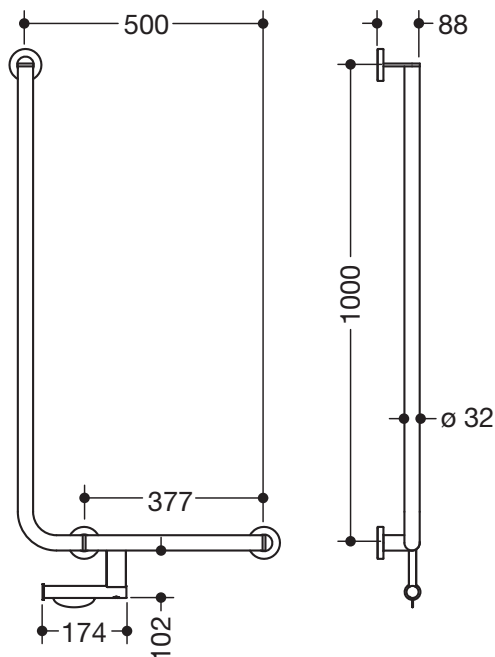


L-shaped support rail 900.22.112XA

- vertical and horizontal rails, joined at right-angles with mounting roses
- right-hand version
- horizontal length 500 mm, vertical length 1000 mm, 88 mm deep
- rail diameter 32 mm, tube thickness 2 mm, rose diameter 70 mm
- made of high-quality stainless steel, satin
- including non-corrosive and tested HEWI fixing material for wall mounting and sealing tape for sealing the drilling points
- fulfils the SIA 500 requirements



Dimensions in mm



Surface

XA

Alternative surfaces

Chr

DX

DC

AY

SC

The colour AY will be discontinued 31.03.2023

Technical information subject to alteration, 30th March 2022

HEWI Heinrich Wilke GmbH
Postfach 1260
D-34442 Bad Arolsen

Telefon: +49 5691 82-366
Telefax: +49 5691 82-99366
international@hewi.com
www.hewi.com

HEWI (UK) Limited
Holm Oak Barn, Beluncle Halt
Stoke Road
Hoo Kent ME3 9NT

Phone +44 1634 258 200
Fax +44 1634 250 099
info@hewi.co.uk
www.hewi.com