

Product data sheet

Hinged support rail with weight capacity up to 300 kg
801.50.812LS

HEWI



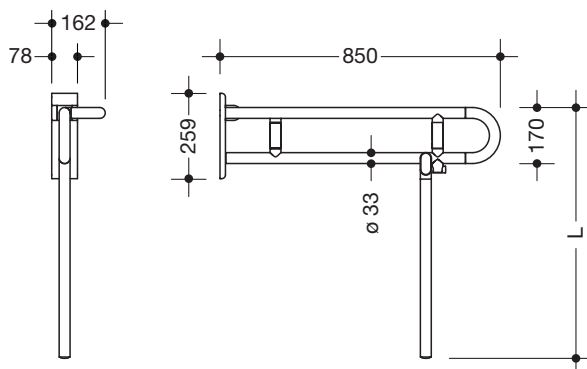
Similar picture

Hinged support rail with weight capacity up to 300 kg 801.50.812LS

- with floor support, to absorb vertical force
- two parallel rails running one above the other joined by a connecting bend
- for holding on to and providing support
- with continuous, corrosion resistant steel core and wall plate made of polyamide with integrated steel core
- left-hand version (seen from the view of the user), bend facing outwards
- can be folded upwards and, downwards with braked movement, and in the raised position can be turned to the right towards the wall
- floor support made-to-measure, for absorbing vertical force
- for wall mounting with wall-specific HEWI fixing material (must be ordered separately)
- if mounted on lightweight walls, rear lining made of laminated timber boards at least 30 mm thick is required
- concealed fixing
- 850 mm projection, 259 mm high and 78 mm deep, 33 mm rail diameter
- made of high-quality polyamide according to HEWI colour chart
- toilet roll holder 801.50.010, 801.50.011 and WC flushing mechanism (radio-controlled) 801.50.060 for retrofitting
- vertical loading capacity up to 300 kg, horizontal loading capacity in direction of additional wall support up to 100 kg
- produced in accordance with Regulation (EU) 2017/745 on medical devices
- fulfils the DIN 18040, ÖNORM B1600/1601 and SIA 500 requirements



Dimensions in mm



Colours

| | | | | | | | | | | | | | | | |
|----|----|----|----|----|----|----|----|----|----|----|----|----|----|----|----|
| 98 | 99 | 97 | 95 | 92 | 90 | 86 | 84 | 18 | 24 | 36 | 33 | 74 | 72 | 55 | 50 |
|----|----|----|----|----|----|----|----|----|----|----|----|----|----|----|----|

Technical information subject to alteration, 29th January 2022

HEWI Heinrich Wilke GmbH
Postfach 1260
D-34442 Bad Arolsen

Telefon: +49 5691 82-366
Telefax: +49 5691 82-99366
international@hewi.com
www.hewi.com

HEWI (UK) Limited
Holm Oak Barn, Beluncle Halt
Stoke Road
Hoo Kent ME3 9NT

Phone +44 1634 258 200
Fax +44 1634 250 099
info@hewi.co.uk
www.hewi.com