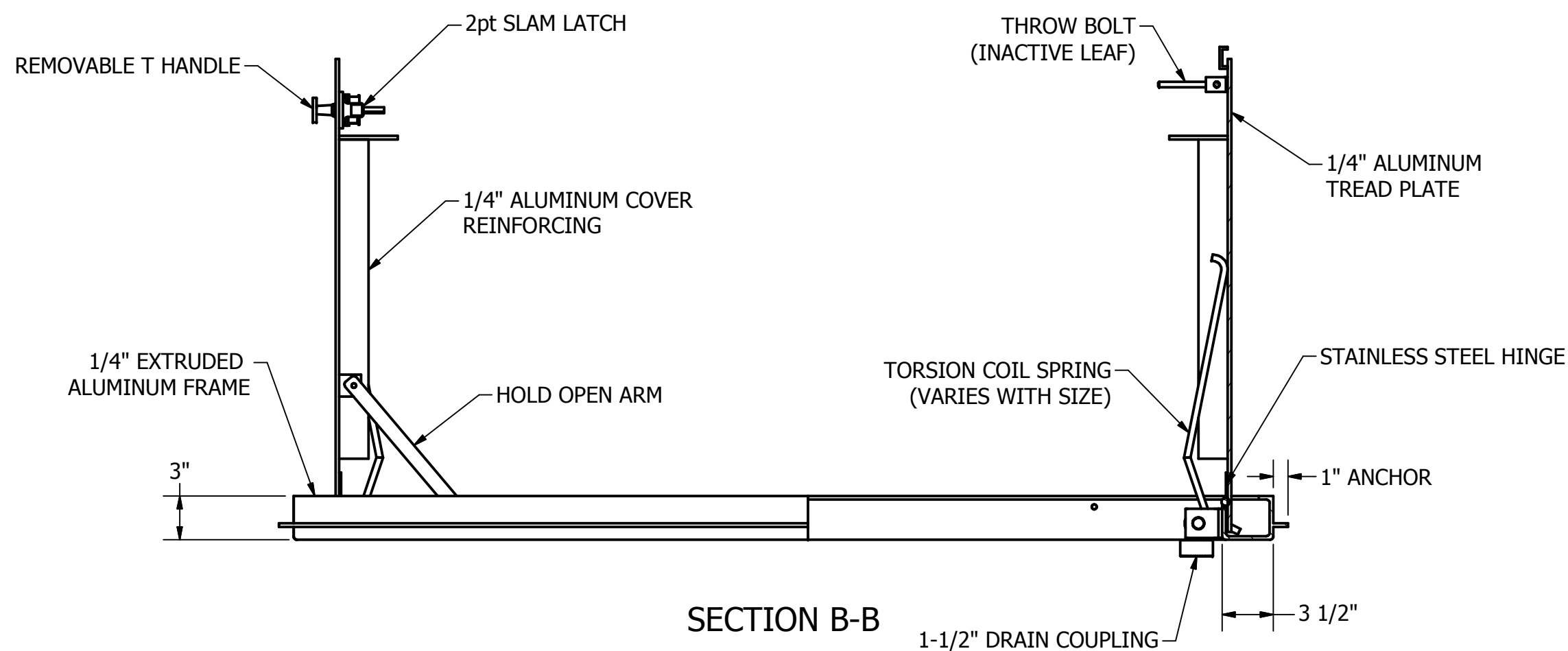
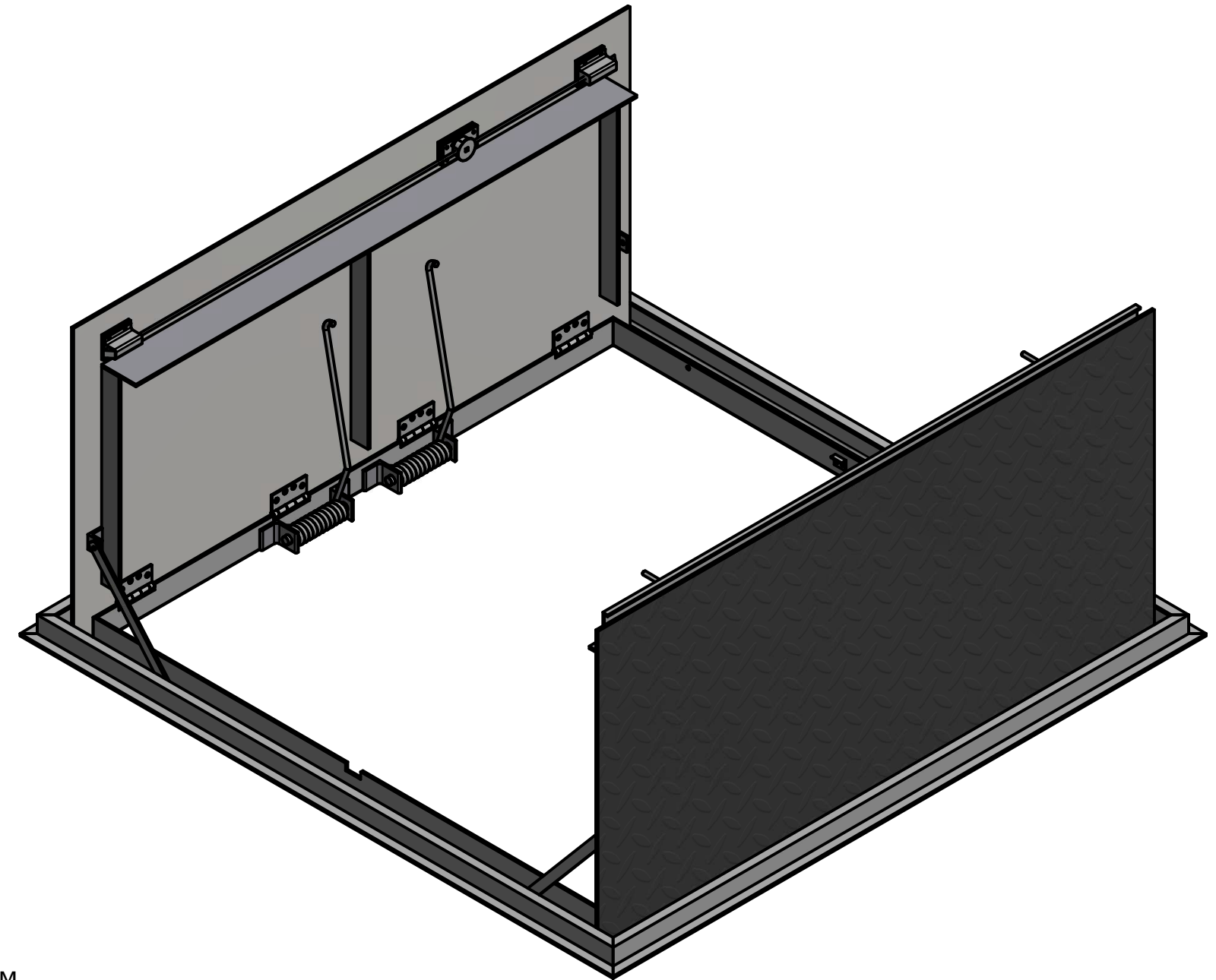
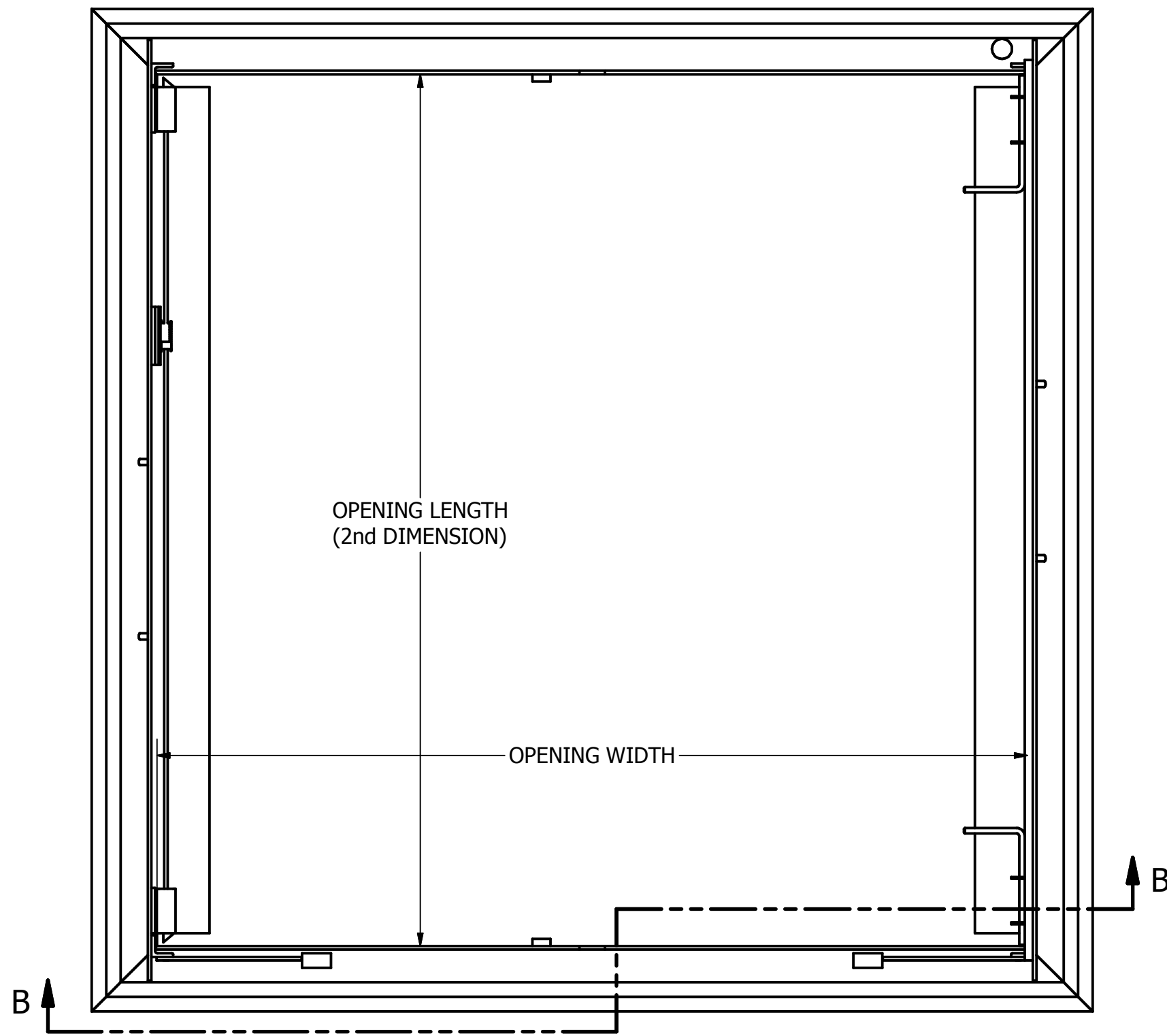


- NOTES:
 1) MILL FINISH
 2) APPROVED BY FACTORY MUTUAL
 3) RATED FOR: 300psf LIVE LOAD
 4) MATERIAL:
 FRAME - 1/4" EXTRUDED ALUMINUM
 COVER - 1/4" ALUMINUM TREAD PLATE
 HINGES - 304 STAINLESS STEEL
 HARDWARE - 304 STAINLESS STEEL W/EXCEPTIONS
 5) SIZES:
 GD-5 3'6" X 3'6"
 GD-6* 2'10" X 3'4"
 GD-7 * 3'4" X 3'10"
 GD-8* 3'10" X 3'10"
 GD-9 * 4'0" X 4'0"
 GD-10 4'0" X 6'0"
 GD-11 5'0" X 5'0"
 * TORSION SPRING NOT PROVIDED ON ALUMINUM SIDEWALK DOORS IN THE FOLLOWING STANDARD AND SPECIAL SIZES: 2'10"X3'4" THROUGH 5'6", 3'10"X3'10" THROUGH 4'0"X4'0"



DRAWN	CD	8/3/2018	HART AND COOLEY INC.	
CHECKED			Fax: 855-549-2674 www.hartandcooleyinc.com	
QA			5030 Corporate Exchange Blvd. SE Grand Rapids, MI. 49512 Ph: 800-624-8642	
MFG			TITLE	
APPROVED			GD DOUBLE LEAF SIDEWALK DOOR	
			SIZE	DWG NO
			C	SUBMITTAL
			SCALE	SHEET 1 OF 1

TOLERANCE UNLESS SPECIFIED	
.XXX ± 0.005"	
.XX ± 0.01"	
FRACT. ± 1/16"	
ANGLES ± 1'	