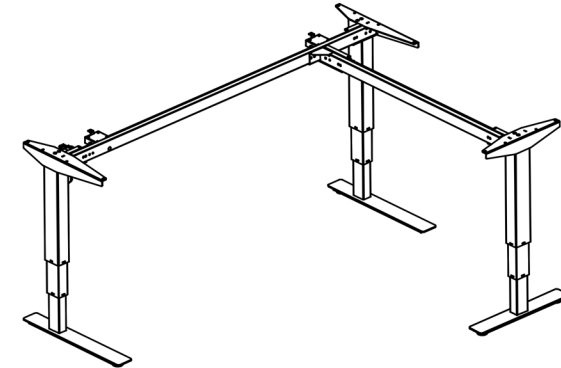



assembled left turned



assembled right turned

DO NOT SCALE DRAWING		SHEET 4 OF 5				<h1>ConSet A/S</h1>		Industrivej 23 DK-6900 Skjern Denmark			
UNLESS OTHERWISE SPECIFIED: DIMENSIONS ARE IN MILLIMETERS TOLERANCES: LINEAR: According to ANGULAR: DIN 7168-m		NAME		DATE		TITLE:					
		DRAWN		jo		27-02-2018		501-37 XX172-142A			
		CHECKED									
<b>PROPRIETARY AND CONFIDENTIAL</b> THE INFORMATION CONTAINED IN THIS DRAWING IS THE SOLE PROPERTY OF CONSET A/S. ANY REPRODUCTION IN PART OR AS A WHOLE WITHOUT THE WRITTEN PERMISSION OF CONSET A/S IS PROHIBITED.		Processes:		assembly		DWG NO.		REVISION			
		WEIGHT:				147190		0			