



AMERICAN SPECIALTIES, INC.
441 Saw Mill River Road, Yonkers, NY 10701
(914) 476.9000 • (914) 476.0688
www.americanspecialties.com

MODEL №: 0852

ISSUED: JAN 1987

REVISED: 18 APR 2022

SURFACE MOUNTED SANITARY NAPKIN DISPOSAL

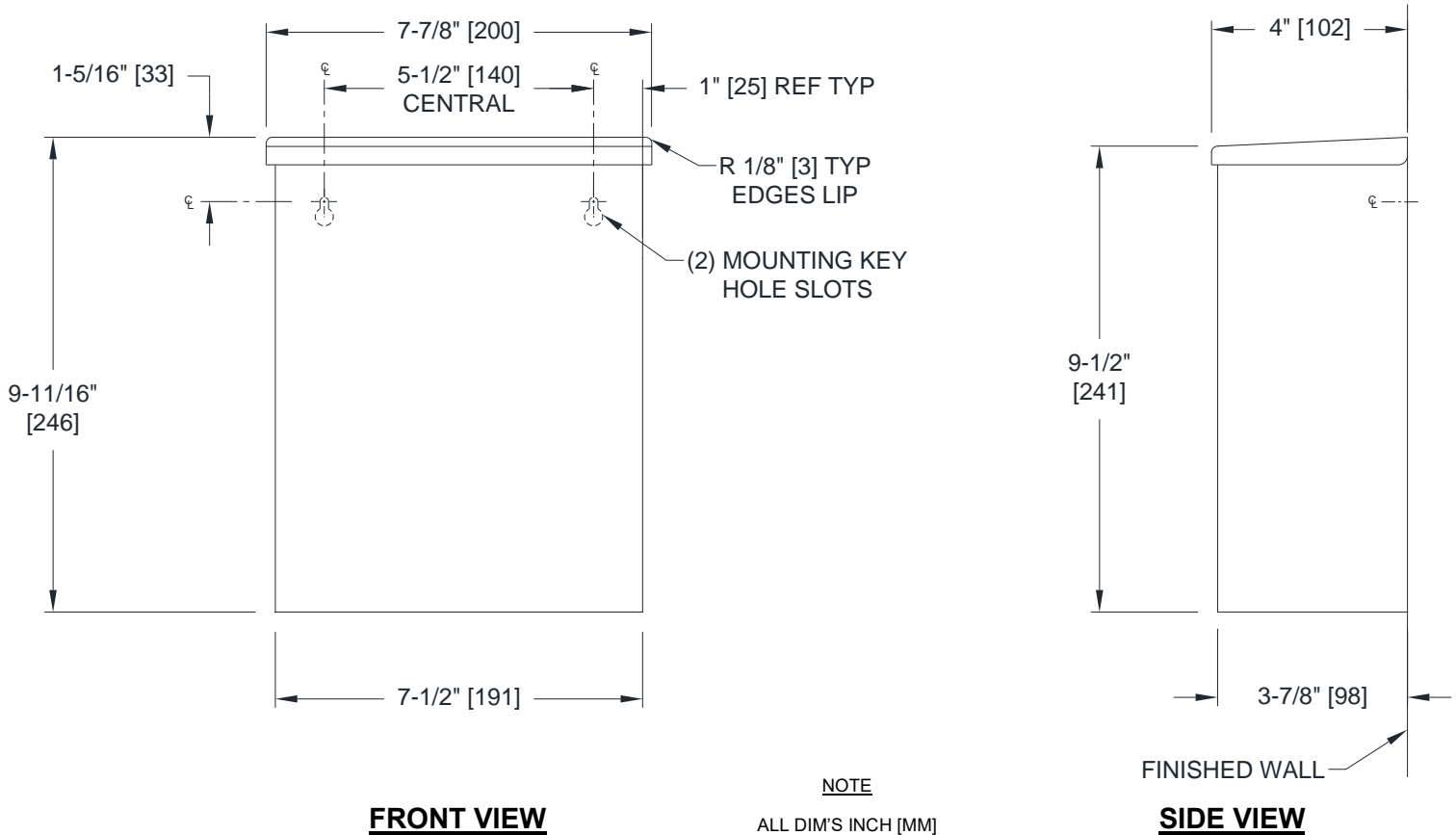


ILLUSTRATION FOR REF ONLY AND NTS

FOR CLEANING INSTRUCTIONS SEE APPROPRIATE SECTIONS IN
PRODUCT CARE & MAINTENANCE BULLETIN (PCM) ON ASI WEBSITE

SPECIFICATION

Surface Mounted Sanitary Napkin Disposal shall have top cover door and cabinet of 22 gage type 304 stainless steel alloy 18-8. All exposed surfaces shall be satin finish (or Powder Coated (PC) Matte Black finish if suffix -41 is added to Model №) and be protected during shipment with PVC film easily removable after installation. Capacity shall be 1.2 gal (4.5L). Top cover is attached to cabinet with a full length 3/16" Dia [Ø4,8] stainless steel multi-staked piano hinge. Structural assembly of body and door components shall be of welded construction.

Surface Mounted Sanitary Napkin Disposal shall be Model № 0852 (add -41 for PC Matte Black) of American Specialties Inc., 441 Saw Mill River Road, Yonkers, New York 10701-4913

INSTALLATION

Surface mount unit on wall or partition using № 10 self-threading screws (by others). Two (2) mounting holes through back are keyhole slots for ease in hanging unit on pre-installed screws. For compliance with 2010 ADA Accessibility Standards and 2015 ABA Standards install unit so that top cover is 44" [1118] Max. AFF (Above Finished Floor).

OPERATION

User lifts lid to deposit waste material. Maintenance schedule determines trash removal cycle. Unit is emptied by opening top door and removing wax paper collection bag. Waxed paper liner bags are furnished by others.