



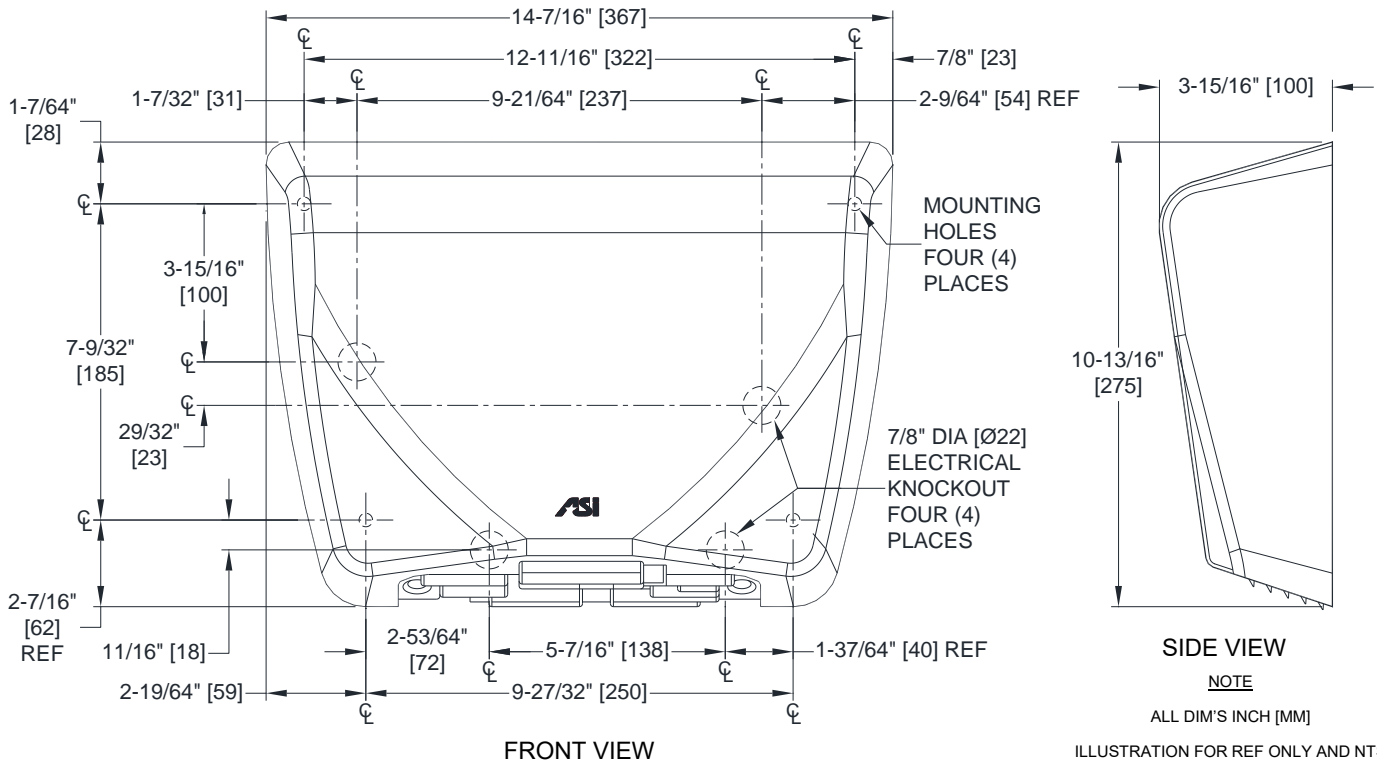
**AMERICAN SPECIALTIES, INC.**  
 441 Saw Mill River Road, Yonkers, NY 10701  
 (914) 476.9000 • (914) 476.0688  
 www.americanspecialties.com

**MODEL №:** 0185

**ISSUED:** 10-05

**REVISED:** 02 MAR 2020

**SURFACE MOUNTED SENSOR HAND DRYER (Pg 1 of 2)**



FOR CLEANING INSTRUCTIONS SEE  
 APPROPRIATE SECTIONS IN PRODUCT CARE &  
 MAINTENANCE BULLETIN (PCM) ON ASI WEBSITE

**SPECIFICATION**

Surface Mounted Sensor Hand Dryer shall operate automatically from IR sensor that shall activate dryer when hands are placed in sensor zone. Motor and heating element shall have internal resetting automatic thermal protection. Cover shall be fabricated of one-piece, 16 gauge (.063", {1.6}) thick drawn steel or type 304 stainless steel and shall have all exposed surfaces finished with acid, chip and scratch resistant porcelain enamel on steel or bright or satin finish on stainless steel. Fixed directional air vanes shall be heavy duty, rust proof and tamper resistant. Air intake slots shall not allow access to internal parts. Back plate shall be furnished with vibration isolating mounting bushings. Circuitry shall have self-adjusting time-out and fail-safe off protection controlled by a microprocessor that shall detect and reject false signals and shall automatically self calibrate to provide uniform sensitivity over its entire life span. Entire unit shall be internally electrically grounded. Dryer unit shall have approval and be listed under the re-examination services of Underwriters Laboratories, Inc. Unit shall be warranted against defects in materials or workmanship for Ten (10) years. Owner's Manual (OM) and Mounting Template are supplied with each unit.

**Surface Mounted Sensor Hand Dryer shall be Model № 0185 of American Specialties, Inc., 441 Saw Mill River Road, Yonkers, NY 10701-4913**

**INSTALLATION**

Surface mount unit on wall with four (4) 1/4" screws, washers and bushings (supplied) through rubber grommets (supplied) in a corrosion protected formed heavy steel back plate into suitable prepared mountings (by others) or other suitable mounting hardware (by others) to suit wall conditions. For masonry walls use expansion bolts or anchors for 1/4" (6) screws. Electric service of 100-240VAC 20A 50/60 Hz (provided by others) is brought to RWO at location for dryer indicated on diagram above and is hooked up (by others) in accordance with schematic and Owner's Manual provided with unit. Electrical service is supplied and connected (by others) prior to installing cover. Cover is secured to back plate with two (2) hex socket security screws (supplied). For compliance with ICC/ANSI A-117.1-2003 and ADA Accessibility Guidelines install unit with bottom of sensor lens 48" [1219] max AFF (Above Finished Floor) if clear floor forward reach or if clear floor side reach access is provided or 46" [1168] max AFF if side reach access over an obstruction (e.g. vanity) with reach depth greater than 10" [254] and less than 25" [635] is only provided or 44" [1118] max AFF if forward reach over an obstruction (e.g. commode) with reach depth greater than 20" [508] and less than 25" [635] is only provided. For general utility install unit so that sensor lens is 44" to 50" [1118 to 1270] AFF. For installation of two or more dryers, dryers should be no closer than 24" [610] on center. See OM and Template supplied with unit.

**OPERATION**

Dryer is activated by user placing hands under sensor. LED in sensor array shines blue light during operation to guide user to optimal hand placement for shorter drying time. Dryer automatically shuts off after time-out when user removes hands from sensor zone.



**AMERICAN SPECIALTIES, INC.**  
 441 Saw Mill River Road, Yonkers, NY 10701  
 (914) 476.9000 • (914) 476.0688  
 www.americanspecialties.com

**MODEL №:** 0185

**ISSUED:** 10-05

**REVISED:** 02 MAR 2020

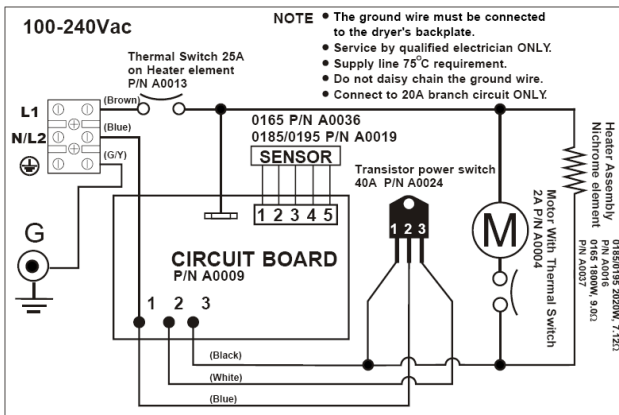
**SURFACE MOUNTED SENSOR HAND DRYER (Pg 2 of 2)**

**RATINGS**

MODEL	TYPE	TIMING	SUPPLY	AMPS (MAX)	WATTS	COLOR
0185	Hand	Automatic 60 second Shut-Off	115 VAC 50/60Hz	17.6	2022	White
			208 VAC 50/60Hz	15.9	1654	
			240 VAC 50/60Hz	18.3	2200	

MODEL	MOTOR	H/P	RPM x1000	FAN TYPE	AIR FLOW	HEATING ELEMENT	AIR OUTPUT TEMPERATURE	SOUND PRESSURE	DRYING TIME
0185	Brush Type Dual Ball Bearings	.25	75	Single Inlet Centrifugal	185 CFM (314.5 m <sup>3</sup> /h)	2020 Watt Nichrome wire with auto reset circuit breaker @ 115VAC 1519 Watt Nichrome wire with auto reset circuit breaker @ 104VAC 2020 Watt Nichrome wire with auto reset circuit breaker @ 120VAC	149° F (65°) @ 77° F (25°) Ambient room temperature	65 dB-A @ 2M	Less Than 25 Seconds

**Circuit Diagram**



**Installation Diagram**

