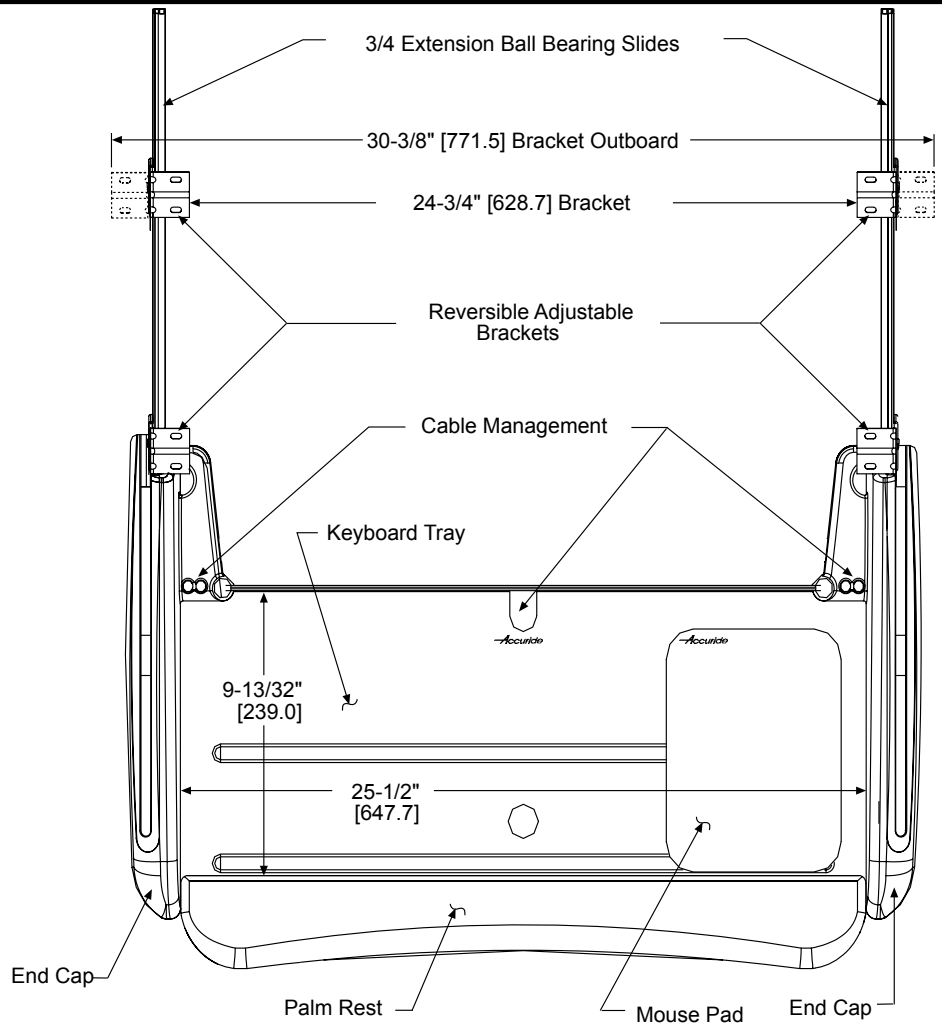
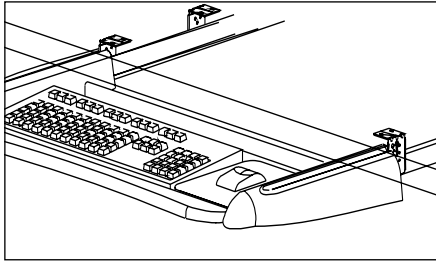


APPLICATIONS: For wood or metal furniture in home office furniture and office workstation desktops. **This product is covered by U.S. (D447,145 S) and foreign (ROC 74826) patents issued and/or pending.**



Inches
mm

Finish: Black powder-coated (CB) finish

Unit Profile: Width: 29.6" [751.7]
Depth: 19-1/2" [495.3]

Slide Travel: 11.0" [279.4]

Tray Profile: Inside tray width: 25-1/2" [647.7]
Inside tray depth: 9-13/32" [239.0]

Mounting Space: Minimum 30.0" [762.0]

Load: Slides are rated to carry 75 lbs.

Brackets: Variable height,
Inboard/Outboard.

Tray Fit: Fixed at -7°

Features

- Ergonomic design
- Slides fully concealed from view
- All rough edges and pinch points eliminated
- No transfer of grease
- Accommodates any size keyboard by removing palm rest
- Large tray width provides unhanded mouse surface
- Removable full-length foam palm rest
- Cable management fixtures incorporated in rear of tray
- Slides silenced in the open and closed positions
- Detent-in and detent-out

Before you begin, unpack the new keyboard assembly and inspect it for damage. If there is any damage or the product does not operate properly, contact your Accuride Distributor for further details.

NOTE:

The keyboard assembly is designed and intended for the support of a keyboard mouse, and mouse pad only. The mounting screws included are suitable for mounting the assembly into wood or metal units. All eight mounting screws should be fully tightened to mate the bracket to the mounting surface.

Caution: Always protect your eyes and wear safety goggles or glasses during installation.

Tools Required

- #2 Phillips Screwdriver (Minimum 6" long shank)
- Drill (6" long screwdriver bit required for inboard mounting)
- Scratch Awl
- 1/16" Drill Bit

Suggested Mounting Surface

- Use the sturdiest material possible. Minimum 3/4" thick composite (MDF, plywood, or particle board) is recommended.

Installation Procedure

Step 1

- Determine the preferred mounting location of the keyboard assembly.
- For flush mounting, fold the installation template on the dotted lines and align the front edge (as noted) to the edge of the work surface. Otherwise, adjust the installation template to fit the desired location.
- Tape installation template in place.

Step 2

- The mounting brackets can be mounted "Inboard" or "Outboard". Determine the orientation of the mounting brackets that best suits the application. See Figure 1.

Step 3

- Punch eight pilot holes with a scratch awl and drill eight 1/16" diameter starter holes in the designated installation template locations for the selected mounting style (inboard or outboard).

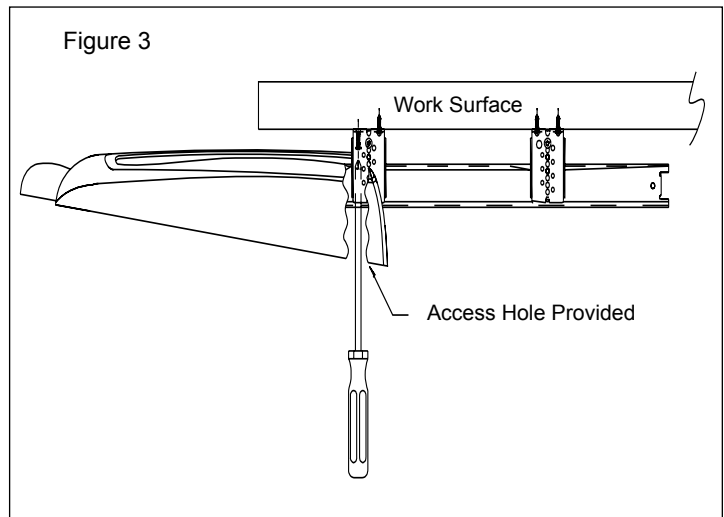
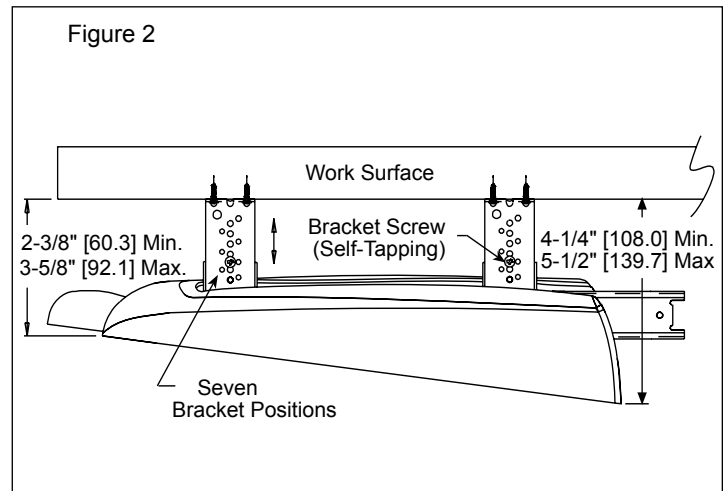
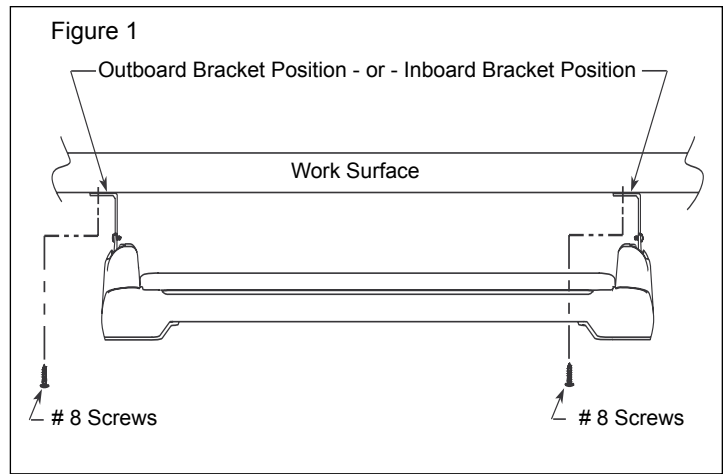
NOTE: Use caution when drilling pilot holes to avoid drilling through to the top of the desk.

Step 4

- Remove installation template.

Step 5

- The unit is shipped with the mounting brackets installed in the lowest inboard setting. Remove and adjust as required.



- Using a Phillips screwdriver, remove the bracket screws. See Figure 2. Position the brackets to accommodate the preferred height and mounting orientation.
- Ensure that each bracket is adjusted to the same vertical setting.
- To maximize knee space, adjust brackets just enough to clear keyboard during travel.
- The self-tapping bracket screws can be installed from either direction. When repositioning brackets, make sure to reinstall the same screws.

Step 6

- While holding the unit in place, fasten the two rear brackets to the work surface with a Phillips screwdriver (start with one screw per bracket). Each bracket will use two #8 X 5/8" screws.
- While holding the unit in place, extend the keyboard drawer to the fully open position. See Figure 3. Fasten the two front brackets.

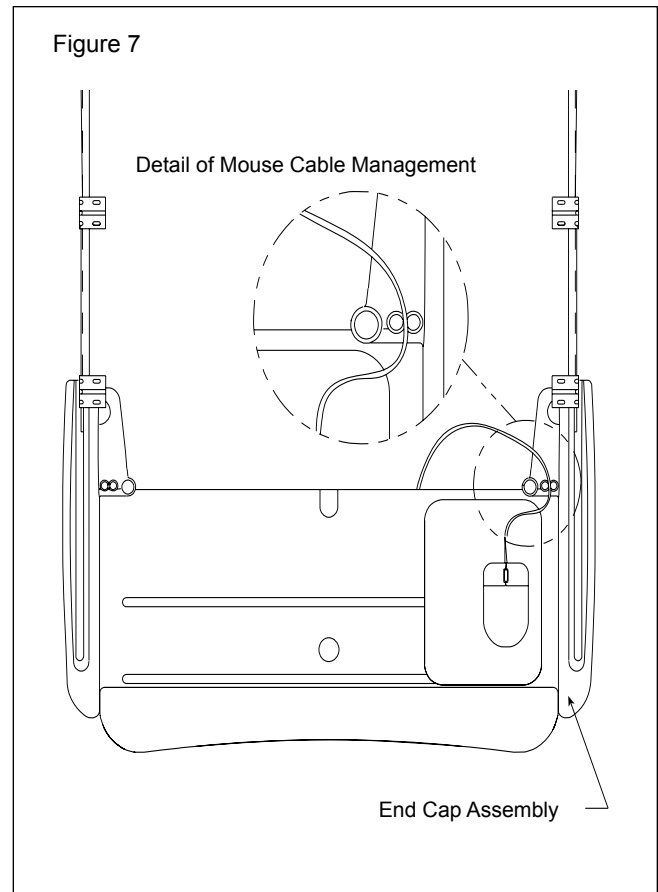
NOTE: Fully tighten the screws on one side. After all the brackets have been fastened, cycle the unit a few times to ensure the slides have self-adjusted to a parallel movement and are moving freely.

Step 7

- After the unit has been cycled a few times, the slide alignment has self-adjusted. Close keyboard slightly, tighten the rear bracket screws on the other side, and install the remaining screws.
- Extend tray fully and install the remaining screws in the front bracket.
- If the brackets are not properly aligned, a slight dragging will be evident.

Cable Management

- Locations for mouse cable management can be found at the rear left or rear right of the tray at the back of the end cap assembly. See Figure 4.
- The mouse cable is held in place by positioning it between the two small pins and pressing into place.
- If a free-moving mouse cable is preferred, position cable between the large and small pins.
- An oval cut-out located in the center of the keyboard tray is provided for keyboard cable management.



Complete your order for Accuride model CBERGO-TRAY 200 by specifying the following:

20 Each CBERGO-TRAY200

Total units required _____

Model _____

Packaging

Individually packaged in special carton with slides with slides attached to the keyboard tray. Includes hardware mounting kit 4180-0395-XE, which includes:

8 each 2410-3241-CE #8-17 x 5/8" self-tapping screws

Specifications

Slide Members: Cold rolled steel
Ball Retainers: Cold rolled steel
Ball Bearings: Carburized steel
Keyboard tray: Cold rolled steel
Palm rest: Foam
Mouse Pad: Foam
End caps: ABS, molded plastic
RoHs compliant.

NOTE: Specifications, materials, prices, terms, and delivery are subject to change without notice.



ACCURIDE INTERNATIONAL INC.

12311 Shoemaker Avenue
Santa Fe Springs, CA 90670

TEL (562) 903-0200

FAX (562) 903-0208

www.accuride.com

Manufacturing, Engineering, and Sales

United States • Germany • Japan • Mexico • United Kingdom • China