



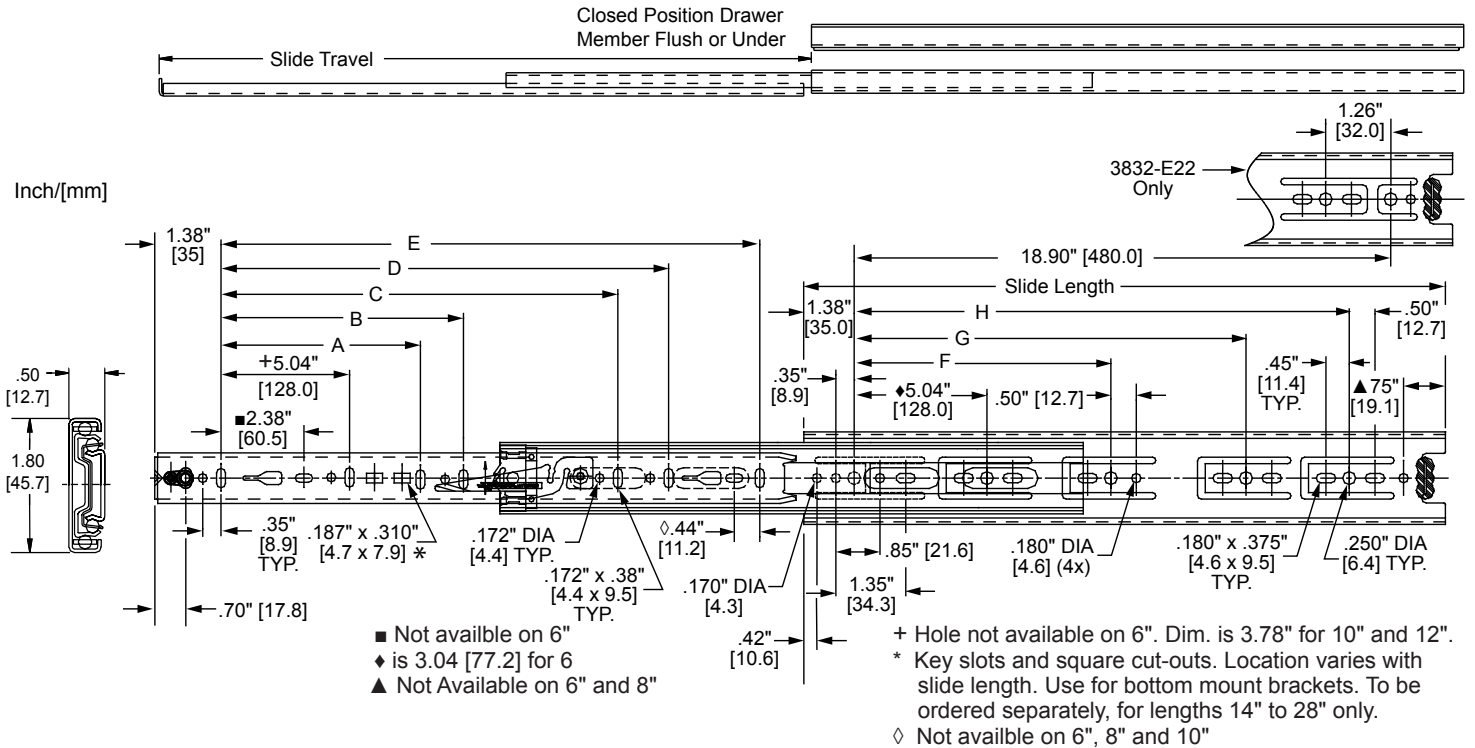
MODEL 3832E, 3834E

Vertical Drawer Adjustment Cam
32 mm System Box Drawer Slide
Up To 100 lb. [45.5] Capacity•

APPLICATIONS: For use in wood pedestals, dresser and desk drawers, casework, residential and kitchen cabinetry. *Not intended for lateral file drawer applications. ‡ Use for side mount only. This product is covered by U.S. (5,980,007), (488,712) and various foreign patents issued and/or pending.*

3832E, 3834E QUICK REFERENCE

Side Space: (.50" + 0.031) x 2
Length: 3832E-6"-28"
3834E-12"-28"
Height: 1.80"
Load: 100 lbs.•



- Finishes** 3832E: Bright electro-zinc (C), black zinc (CB), white electrocoating (EW), H-coat (CH) 3832 only
3834E: Bright electro-zinc (C), black zinc (CB)
- Length** 3832E: 6"-28" [140 mm-700 mm]
3834E: 12"-28" [300 mm-700 mm]
- Travel** 3832E: Full extension
3834E: 1" Over travel
- Height** 1.80" [45.7 mm]
- Load** 100 lbs. [45.5kg]•
- Side Space** 1/2" + 1/32" / -0.0 [12.7 mm +.8 / -0.0]
- Disconnect** Front, handed lever
- Mounting** Side, optional rear brackets for face frame installation
- Hardware** Flat head 6 mm Euro System screw or #8 pan head screw, stainless steel screws for (CH) finish only.
- Ball Bearings** C & CB finish: Steel
EW finish: Acetal polymer in drawer member
CH finish: Stainless steel
- Features** Drawer member vertical adjustment cam, hold-in detent; silenced open and closed; 32 mm spacing on cabinet member holes
- Optional Weather Resistant Finish (CH) 3832 only** Electro-zinc plating with H-coat overcoat provides 8 times more protection for installations subjected to indirect weather conditions. Includes stainless steel ball retainer and rivets.

Part Number	Slide Length	Slide Travel 3832	Slide Travel 3834	A	B	C	D	E	F	G	H
3832-E6	5.84 [148]	5.42 [138]						3.78 [96]			
3832-E8	7.84 [199]	8.00 [203]						5.56 [141]			
3832-E10	9.84 [250]	10.00 [254]						7.56 [192]			
3832-E12	11.81 [300]	12.00 [305]	13.00 [330]					9.52 [242]	8.82 [224]		
3832-E14	13.78 [350]	14.00 [356]	15.00 [381]					11.50 [292]	8.82 [224]		
3832-E16	15.75 [400]	16.00 [406]	17.00 [432]					13.47 [342]	8.82 [224]	12.60 [320]	
3832-E18	17.72 [450]	18.00 [457]	19.00 [483]			12.60 [320]		15.43 [392]	8.82 [224]	13.86 [352]	
3832-E20	19.69 [500]	20.00 [508]	21.00 [533]			▲12.60 [320]		17.40 [442]	8.82 [224]	16.38 [416]	
3832-E22	21.65 [550]	22.00 [559]	23.00 [584]			▲12.60 [320]	16.38 [416]	19.37 [492]	8.82 [224]	13.86 [352]	17.64 [448]
3832-E24	23.62 [600]	24.00 [610]	25.00 [635]	8.82 [224]		16.38 [416]		21.34 [542]	8.82 [224]	13.86 [352]	18.90 [480]
3832-E26	25.59 [650]	26.00 [660]	27.00 [686]	8.82 [224]		16.38 [416]	21.42 [544]	23.31 [592]	8.82 [224]	13.86 [352]	21.42 [544]
3832-E28	27.56 [700]	28.00 [711]	29.00 [737]	8.82 [224]	11.34 [288]	▲16.38 [416]	21.42 [544]	25.28 [642]	8.82 [224]	13.86 [352]	21.42 [544]

‡ A lateral file drawer is wider than it is deep
 • Not available on 3834 version
 ▲ Load rating based on a 22" slide mounted in a 24" wide drawer cycled 50,000 times. (Meets AWI and BHMA standards.)

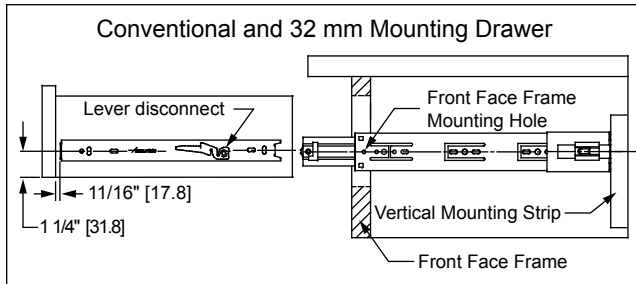
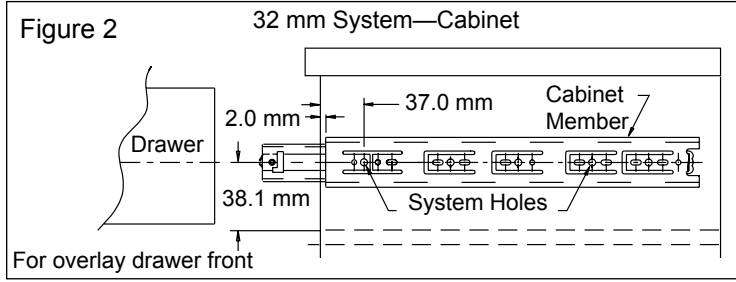
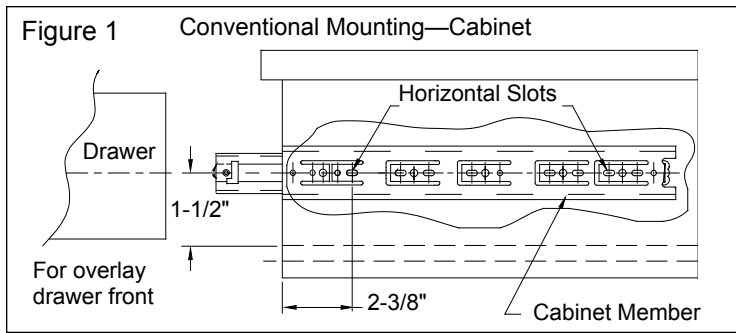
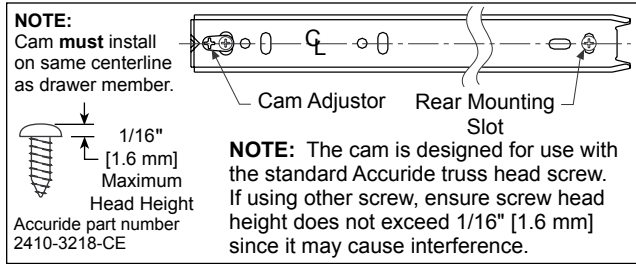
Installation Instructions

Install Cabinet Member

1. Separate slide members by lifting up the left hand disconnect lever and pushing down the right hand lever.
2. Install cabinet (large) member first. For applications with an overlay drawer front, refer to Figure 1 for conventional mounting and Figure 2 for 32 mm system mounting. For applications with an inset drawer front, set the slide back the thickness of the drawer front plus 1/8" [3.2 mm].

Install Drawer Member

3. Install the drawer member with a screw through the cam adjuster and through a hole or slot at the rear.



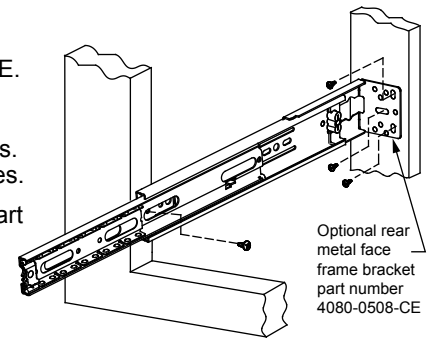
4. **Make sure the ball bearing retainers in the cabinet side are fully forward. Install drawer into cabinet. Close the drawer.**
5. Open the drawer and rotate the cam with a Phillips or Pozi screwdriver to vertically position the drawer in relation to the cabinet.

Optional Kits

Rear bracket for face frame installation can be ordered as kit or bulk. Brackets are available in clear zinc finish only. Mounting screws are not included.

To order the kit, specify part number 4180-0752-XE. Each kit contains: 2 rear brackets, and installation instructions. Order 1 kit per pair of slides.

To order in bulk, specify part number 4080-0508-CE. Order 2 rear brackets per pair of slides.



Packaging Options

Models 3832E, 3834E available in D-pack or bulk packaging. Model CH3832 available in D-pack only.

Distributor (D) Pack: All lengths are packaged 10 pair per box. Polybag includes one pair of slides with mounting screws.

Bulk (P) Pack: All lengths are packaged 10 pair per box. Slides and screws are ordered and packaged separately.

Specifications

Slide members and ball retainers: Cold rolled steel
 Ball bearings: Carburized steel/acetal polymer
 RoHS compliant.

NOTE: Specifications, materials, prices, terms, and delivery are subject to change without notice.



ACCURIDE INTERNATIONAL INC.

12311 Shoemaker Avenue
 Santa Fe Springs, CA 90670

TEL (562) 903-0200
 FAX (562) 903-0208
 www.accuride.com

Manufacturing, Engineering, and Sales
 United States • Germany • Japan • Mexico • United Kingdom • China

Copyright © 2016 Accuride International Inc. 3700-9464(1107)-MK097-R10-0616

Slide ordering Instructions

Complete your slide order for Accuride models 3832E or 3834E by specifying the following:

10 Pair C 3832 -E18 D

Total Required Slides _____
 Slide Finish _____
 Slide Model _____
 Slide Length _____
 Polybag Packaging _____

For the most current technical information please visit www.accuride.com